



RESILIENT SEATED SWING CHECK VALVE PN 16

KENNEDY SERIES 228
to EN/ISO Standards

Kennedy Check Valves with their unique features have been used in the water and fire protection industries since 1877. Our Series 228 Check valves confirm to EN / ISO standards and have been designed to maintain the high quality and integrity of existing designs but incorporates many superior features like full bore and compact design. The valves are constructed in such a way that all internal parts can be replaced without removing the valve from the line. The valve can be installed horizontally as well as vertically. Series 228 check valves are made in cast ductile iron body with disc totally encapsulated in rubber. The valves are offered with lever and weight operator.

Valves are suitable for water and neutral liquids to a maximum temperature of 70° C.



General Specifications

Type : Swing Check Valve Resilient Seated with Lever and Weight
Size Range : DN80 – DN300
Working Pressure : 16 Bar
Ends : Flanged

Flanges

EN 1092-2 PN16

Face to Face

EN 558-2 & ISO 5752 Series 10

Test Pressure

Pressure Testing to EN 1074 - 1&3
Seat Test : 1.1 x PN (18 Bar)
Body Test :1.5 x PN (24 Bar)

Coating

Fusion bonded non-toxic epoxy coating NSF 61
Coated to DIN 30677-2 standards

Options

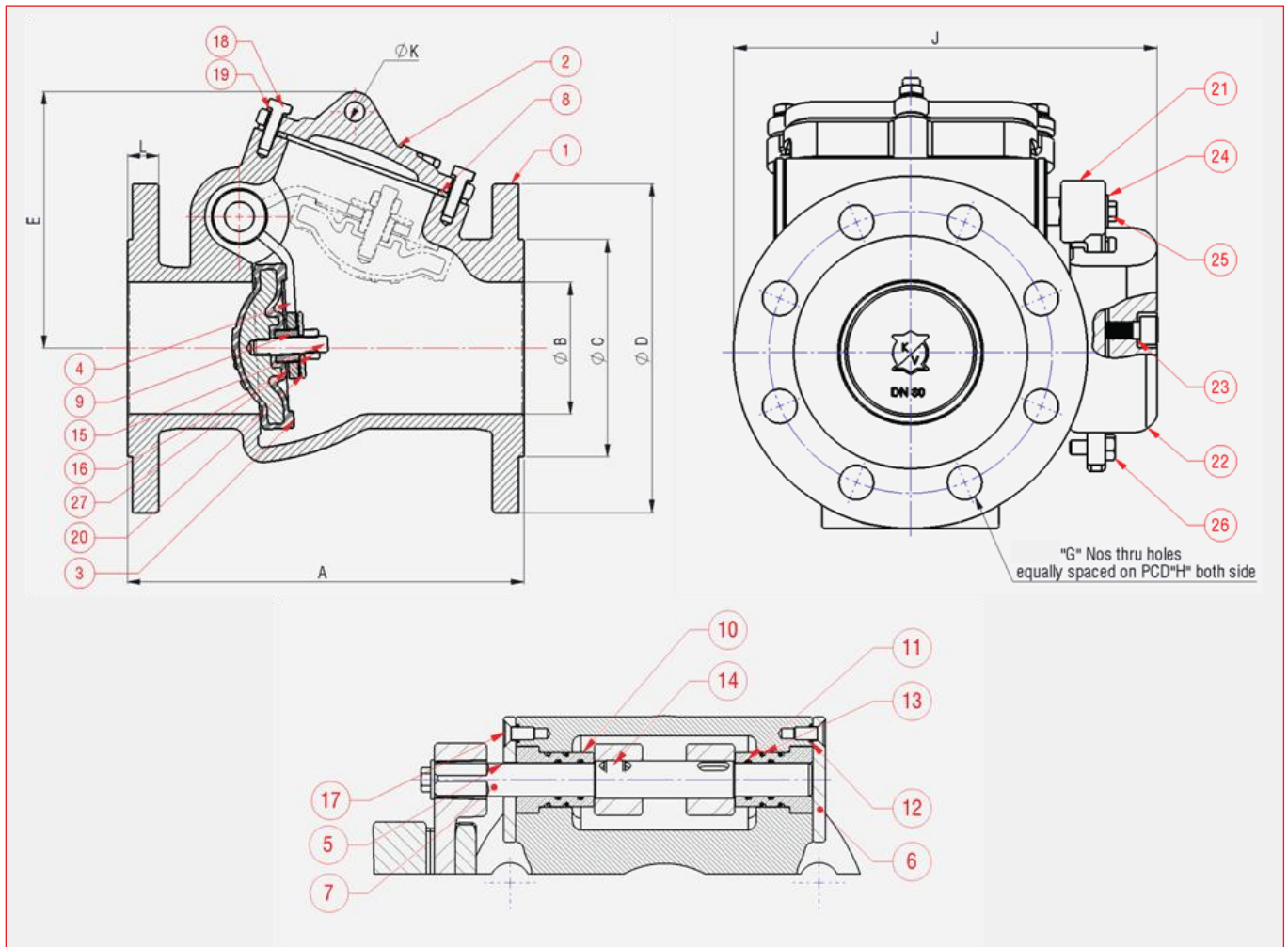
Guard kit for lever and weight.
Lever and weight, mounted RHS as standard,
- can be mounted LHS on request.
Tapping plug
Free shaft option up to DN 150

Material Specifications

Body and Cover	:	Ductile Iron EN-1563	'O' - Rings	:	EPDM
Disc	:	EPDM encapsulated ductile iron	Gasket	:	EPDM
Hinge, END CAP, Spacer, Shaft	:	Stainless Steel 316	Bolts, Stud, & Nuts	:	A4-80
Bush	:	Copper Alloy (Ph. Bronze)	Washer	:	SS 316
Sleeve	:	Acetal	Dowel Pin	:	SS 316
Lever & Counter Weight	:	Ductile Iron EN-S 1050	Coating	:	FBE 300 µm

DN50 available with free shaft design only
EPDM Rubber available with NSF 61 Approval suitable for Potable Water.
Please check with us for other material combinations.

DIMENSIONS AND PART LIST – RS Check Valve Series 228



Components

- | | | | |
|----------------------|-----------------|---------------------|----------------------|
| 1. Body | 8. Gasket | 15. Stud | 22. Counter Weight |
| 2. Cover | 9. Sleeve | 16. Hex Nut | 23. Allen Bolt |
| 3. Disc Encapsulated | 10. Bush | 17. CSK Screw - Cap | 24. Washer - Lever |
| 4. Hinge | 11. O Ring Stem | 18. Hex Bolt Cover | 25. Hex Bolt - Lever |
| 5. END Cap – Open | 12. O Ring Cap | 19. Washer - Cover | 26. Hex Bolt - Lever |
| 6. END Cap – Closed | 13. O Ring | 20. Wide Washer | 27. Spacer |
| 7. Shaft | 14. Dowel Pin | 21. Lever | |

SIZE DN	A	B	C	D	E	G Nos	H PCD	J	K	L	Weight Kgs
50	203	50	99	165	117	4	125	165	8	19	10
80	241	80	132	200	156	8	160	240	12	19	20
100	292	100	156	220	166	8	180	262	12	19	25
150	356	150	211	285	218	8	240	340	14	19	50
200	495	200	266	340	280	12	295	420	14	20	82
250	622	250	319	400	355	12	355	507	22	22	137
300	698	300	370	455	390	12	410	561	24	24.5	177.5

Kennedy Valve and MSPL are divisions of McWane Inc. U.S.A
The specifications and material grades shown are subject to revision without notice based on our product improvement programme.